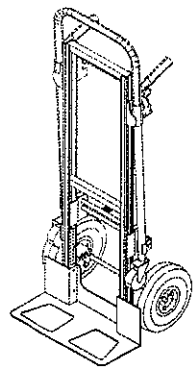
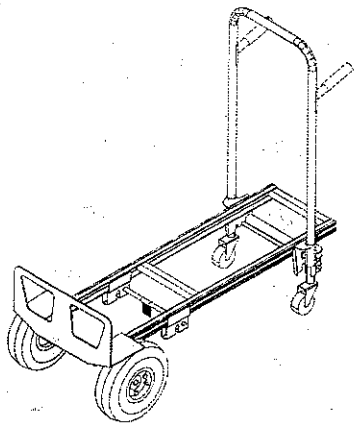
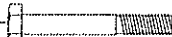


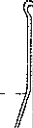


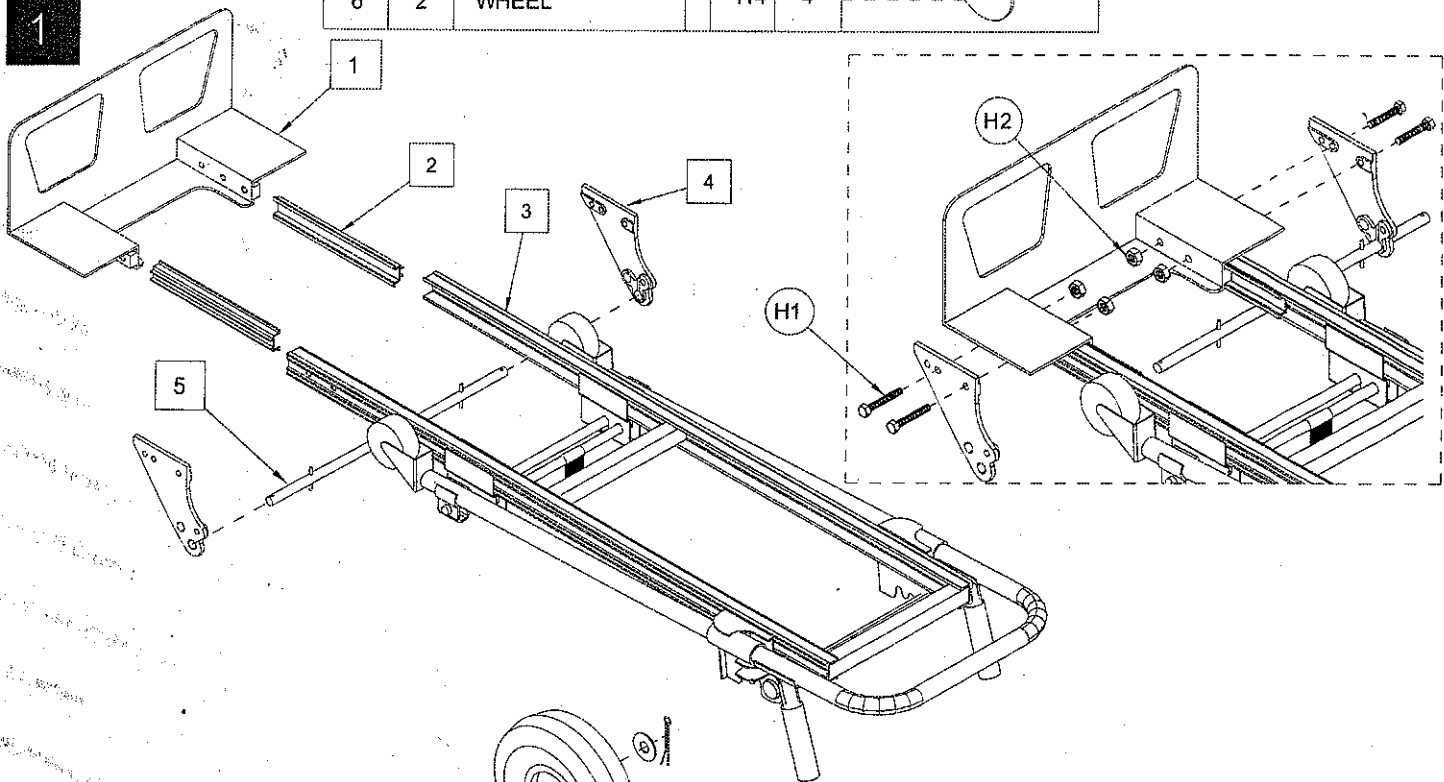
2 - in -1 ALUMINUM HAND TRUCK

MODEL # ALUM-CONV
ASSEMBLY INSTRUCTION

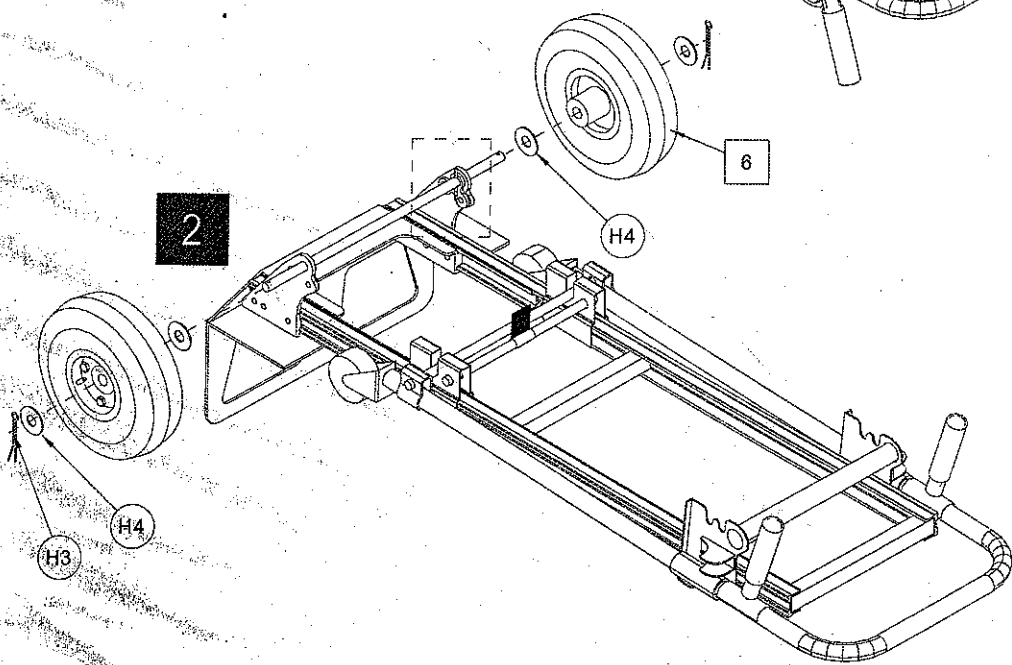


CONTENTS					
REF.	QTY.	DESCRIPTION	REF.	QTY.	DESCRIPTION
1	1	NOSE PLATE	H1	4	
2	2	SHIM	H2	4	
3	1	FRAME ASSEMBLY	H3	2	
4	2	AXLE BRACKET	H4	4	
5	1	AXLE			
6	2	WHEEL			

1



2



TO CONVERT TO PLATFORM TRUCK

